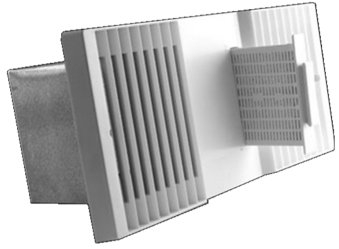




TEKQUEST INDUSTRIES



MODEL CA-90 DUCTLESS BATHROOM FAN INSTRUCTIONS & SPECIFICATIONS

SPECIFICATIONS

1. **Housing Dimension:** 4' X 3 7/16" X 10"
(see drawing)
2. **Packaging:**
 - Bulk packed, 12 units to a carton:
 - **Pack "A"** includes housing, female plug, instructions
 - **Pack "B"** includes grill, deodorizer cartridge, motor assembly, 2 screws
 - **Single Pack available**
3. **Voltage:** Unit operates on standard 120 volt house current via standard plug
4. **Motor:** 1/250 HP, 2800 RPM, 23 watts, 0.285 amps
5. Unit is UL listed.
6. **Louver:** Attached by a single screw in each end.
Made of high-impact plastic.
5 5/8" X 11 15/16" X 3/4" (see drawing)
Available in beige and white.

LIMITED WARRANTY

All products covered by this instruction sheet are warranted against defects in workmanship and materials for one year from date of purchase.

This warranty does not apply to damage from accident, misuse or alteration. No other written or oral warranty applies. Only the manufacturer's warranty applies to this product.

Defective product may be returned to the Company for replacement or repair. The customer shall be responsible for all costs incurred in the removal and shipping of the product for repairs. Within the limitations of this warranty, inoperative units should be returned to:

TekQuest Industries
4275 Church St.,
Sanford, Florida 32771

Merchandise returned to the factory must be accompanied by a return authorization number which is obtained from the Company location listed above and by telephone at 1-800-327-7175.

MAINTENANCE

FILTER REPLACEMENT

The unit use one replaceable advanced CA-90 Deodorizer Cartridge made of high-impact plastic. The CA-90 Deodorizer Cartridge filter is easily replaced without removing the grill (see drawing).

For best results the CA-90 Deodorizer cartridge should be replaced every six months or more frequently as needed.

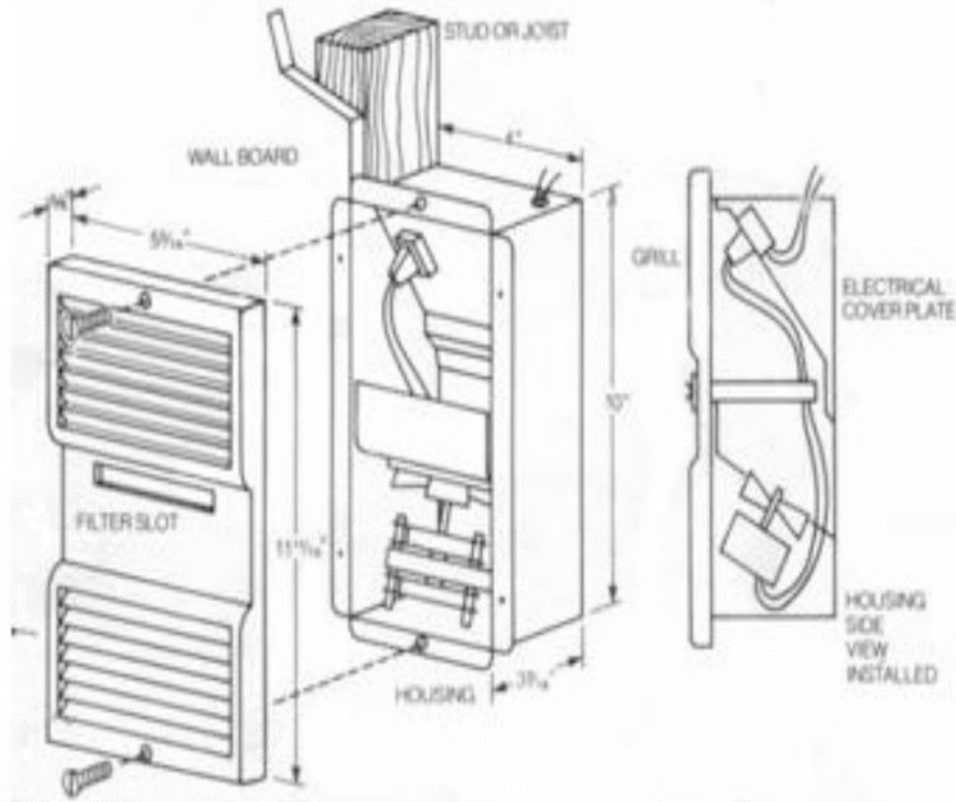
CLEANING

Easy to care for; just wipe the grill face with a damp cloth.

To clean the inside of the unit, remove the screws in the grill face, remove the grill from the housing, and use a soft brush (such as a long-handled paint brush) to clean the motor and motor housing. Or use a vacuum cleaner to remove dust and debris from the interior of the unit.

Do not use harsh detergents. Unplug the fan motor before cleaning.

MODEL CA-90 DUCTLESS BATHROOM FAN INSTALLATION



1. Pull the power cord to its full length and guide the wires through the notch on the left hand side of the motor mount.
2. Install motor fan assembly in the ductless housing so that the fan is tilting toward the electrical cover plate. This will position the bracket so that the bottom portion with holes should be over the punched holes in the can. Also make sure the tip edge of the motor mount is on the outside of the dimples in the top of the can.
3. Remove two (2) #6 X 1/4 sheet metal screws from accessory bag and install through the motor mount into the can, being careful not to strip.
4. Install male plug into female receptacle in the electrical cover plate, making sure wire does not contact the fan blade.

WARNING - TO REDUCE THE RISK OF FIRE, ELECTRIC SHOCK, OR INJURY TO PERSONS, OBSERVE THE FOLLOWING:

1. Installation work and Electrical Wiring must be done by qualified persons in accordance with all applicable codes & standards, included Fire-rated Construction.
2. When cutting or drilling into wall or ceiling, do not damage electrical wiring and other hidden utilities.
3. This unit should not be installed over a tub or shower.
4. NEVER place a switch where it can be reached from a tub or shower.

PLEASE NOTE:

1. Unit is intended for ceiling mount (can also be installed in the wall).
2. If wallboard is installed before "roughin", see unit dimensions for opening size.
3. Unit can be attached directly to studs or joists. (see drawing)

To order full kits or replacement parts, please call **1-800-327-7175** or visit www.tekquestindustries.com

MODEL CA-90 DUCTLESS BATHROOM FAN KITS AND REPLACEMENT PARTS

Pricing updated 8/2011



Ductless Fan Motor
Part # 11354

Price: \$17.33



**Ductless Fan Blade
(Black)**
Part # 11616

Price: \$5.93



Metal Housing
Part # 11964

Price: \$20.45



**Ductless Fan Motor
Mount**
Part # 14541

Price: \$6.01



**Ductless Fan Kit
(Motor, Louver, Filter)**
White Part # 12218
Beige Part # 17282

Price: \$26.55



Complete Ductless Fan
White Part # 12221
Beige Part # 12220

Price: \$46.30



Fan Louver
White Part # 12718
Beige Part # 15351

Price: \$7.35



Louver & Filter w/Screws
White Part # 15350
Beige Part # 15353

Price: \$13.95



Fan Replacement Filter
White Part # 16407
Beige Part # 15566

Price: \$6.75



To order full kits or replacement parts,
please call **1-800-327-7175** or shop [online](#)